

AE6 SERIES

THE AE6 SERIES IS EXTREMELY VERSATILE FOR A WIDE RANGE OF LIGHTING AND POWER APPLICATIONS AS BOTH SOLAR PANEL AND LIGHT HEAD CAN BE POSITIONED IN THEIR OPTIMUM POSITIONS

SPECIFICATIONS 2016

LEADSUN

"Bright Ideas For An Even Brighter Future"

MELBOURNE
SYDNEY
BRISBANE
ADELAIDE
PERTH

Email: Sales@leadsun.com.au

Tel: 1300 281 005

Web: www.leadsun.com.au



AE6 SERIES Specifications

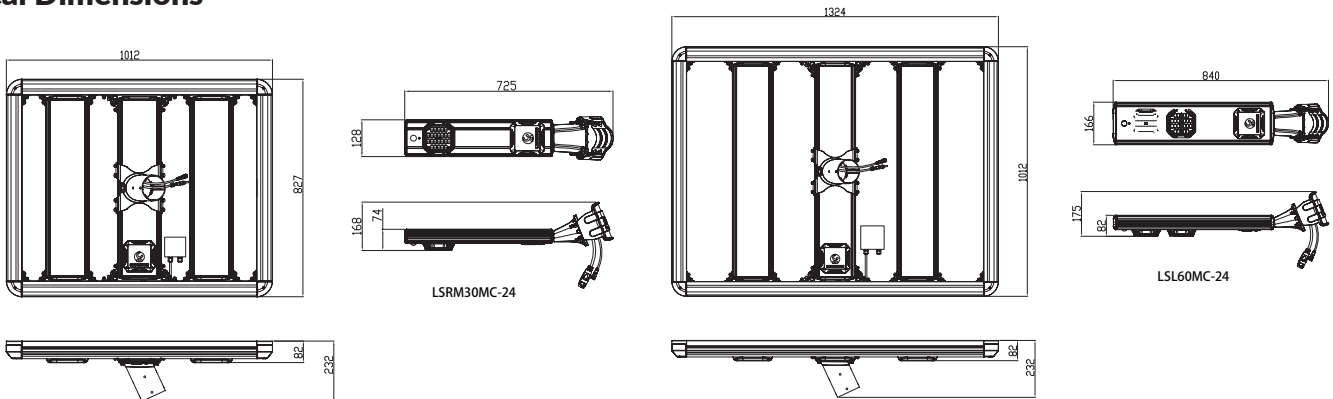
● Standard ○ Optional / N/A

Solar Power System

RHEA LED Light

Model No	AE6S120V24BH32A	AE6S120V24B42	AE6S200V24B42	AE6200V24BH42	AE6200V244B52	LSL30MC-24	LSL60MC-24
Physical Parameters							
Max. Power of LED Chips	/	/	/	/	/	/	/
Qty. of LED Chips	/	/	/	/	/	/	/
PV Module Power	120W	120W	200W	200W	200W	/	/
Lithium Battery Capacity	32AH	42AH	42AH	42AH	52AH	/	/
PIR Sensor	/	/	/	/	/	●	●
Battery Heating Function	●	/	/	●	/	/	/
Bluetooth	/	/	/	/	/	○	○
433MH	/	/	/	/	/	○	○
GPRS	/	/	/	/	/	○	○
Net Weight of Product	27.2Kg	30.2Kg	41Kg	41Kg	44Kg	3.8Kg	5Kg
Physical Dimensions	1012(L)x827(W)x82(T)mm		1324(L)x1012(W)x82(T)mm			840(L)x165(W)x48(T)mm	
Light Parameters							
Light Output Factory Settings	/	/	/	/	/	30W	60W
Optical Distribution	/	/	/	/	/	140' X 70'	140' X 70'
Visual Angle	/	/	/	/	/	5000K	5000K
Color Temperature	/	/	/	/	/	3600lm	7000lm
Max. Luminous Flux	/	/	/	/	/	/	/
Min Bright Mode	/	/	/	/	/	/	/
Working Time DIM Mode (30%)	/	/	/	/	/	/	/
Light Photosensitivity	/	/	/	/	/	30lx	30lx
Environment Requirement							
Charge Temperature	-40°C ~ 60°C	0°C ~ 60°C	0°C ~ 60°C	-40°C ~ 60°C	0°C ~ 60°C	/	/
Discharge Temperature	-40°C ~ 60°C	-20°C ~ 60°C	-20°C ~ 60°C	-40°C ~ 60°C	-20°C ~ 60°C	/	/
Storage Temperature	-20°C ~ 45°C	-20°C ~ 45°C	-20°C ~ 45°C	-20°C ~ 45°C	-20°C ~ 45°C	-20°C ~ 45°C	-20°C ~ 45°C
Installation Suggest							
Recommended Installation Height	5~8m	6~10m	6~10m	6~10m	6~10m	5~8m	5~9m
Recommended Installation Distance	23~35m	30~40m	30~40m	30~40m	35~45m	25~35m	35~45m
Recommended Installation Light Pole	80~90mm	80~90mm	80~90mm	80~90mm	80~90mm	60~90mm	60~90mm

Physical Dimensions



AE6S120V24B26 / AE6S120V24BH32 / AE6S120V24B42

AE6S200V24B42 / AE6200V24BH42 / AE6200V24B52